

# Inductive Sensors



Housing Style	Part Number	ID Number	Features	Sensing Range (mm)	Output
<b>18 mm - Embeddable, Potted-in Cable</b> 	Bi 8U-EM18WD-AN6X	M1634840	<i>Uprox+</i> , Washdown	8	3-Wire DC NPN
	Bi 8U-M18-AN6X	M1644736	<i>Uprox+</i>	8	
	Bi 8U-MT18-AN6X	M1634907	<i>Uprox+</i>	8	
	Bi 8U-EM18WD-AP6X	M1634815	<i>Uprox+</i> , Washdown	8	3-Wire DC PNP
	Bi 8U-M18-AP6X	M1644733	<i>Uprox+</i>	8	
	Bi 8U-MT18-AP6X	M1644754	<i>Uprox+</i>	8	
<b>18 mm - Nonembeddable, Potted-in Cable</b> 	Ni 15U-EM18WD-AN6X	M1634836	<i>Uprox+</i> , Washdown	15	3-Wire DC NPN
	Ni 15U-M18-AN6X	M1635334	<i>Uprox+</i>	15	
	Ni 15U-EM18WD-AP6X	M1634817	<i>Uprox+</i> , Washdown	15	3-Wire DC PNP
	Ni 15U-M18-AP6X	M1635330	<i>Uprox+</i>	15	



Voltage	Switching Freq. (Hz)	Operating Current (mA)	Operating Temp. (°C)	Protection	Housing	Face	Power LED	Output LED	Mating Cordset	Wiring Diagram #	Wiring Diagrams
10-30 VDC	1500	≤200	0 to +85	IP 68, 69K	SS	LCP	N/A	YE	2M/PUR	3	<p><b>Diagram 3</b></p> <p><b>Diagram 4</b></p>
	1500	≤200	-25 to +75	IP 68	CPB	LCP	N/A	YE	2M/PVC	3	
	1500	≤200					LCP	N/A	YE	3	
10-30 VDC	1500	≤200	0 to +85	IP 68, 69K	SS	LCP	N/A	YE	2M/PUR	4	
	1500	≤200	-25 to +75	IP 68	CPB	LCP	N/A	YE	2M/PVC	4	
	1500	≤200				LCP	N/A	YE	4		
10-30 VDC	1000	≤200	0 to +85	IP 68, 69K	SS	LCP	N/A	YE	2M/PUR	3	
	1000	≤200	-25 to +75	IP 68	CPB	LCP	N/A	YE	2M/PVC	3	
10-30 VDC	1000	≤200	0 to +85	IP 68, 69K	SS	LCP	N/A	YE	2M/PUR	4	
	1000	≤200	-25 to +75	IP 68	CPB	LCP	N/A	YE	2M/PVC	4	

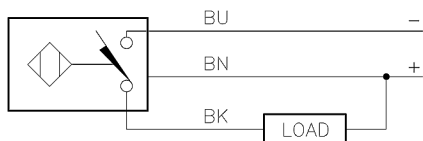
Uprox+

\* Length in meters.

WIRING DIAGRAM

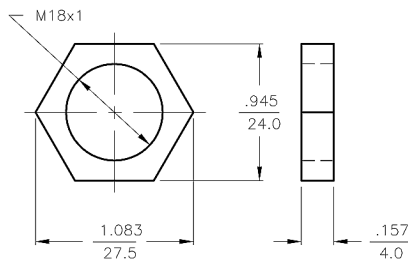
LOCKNUT LN-M18

SPECIFICATIONS

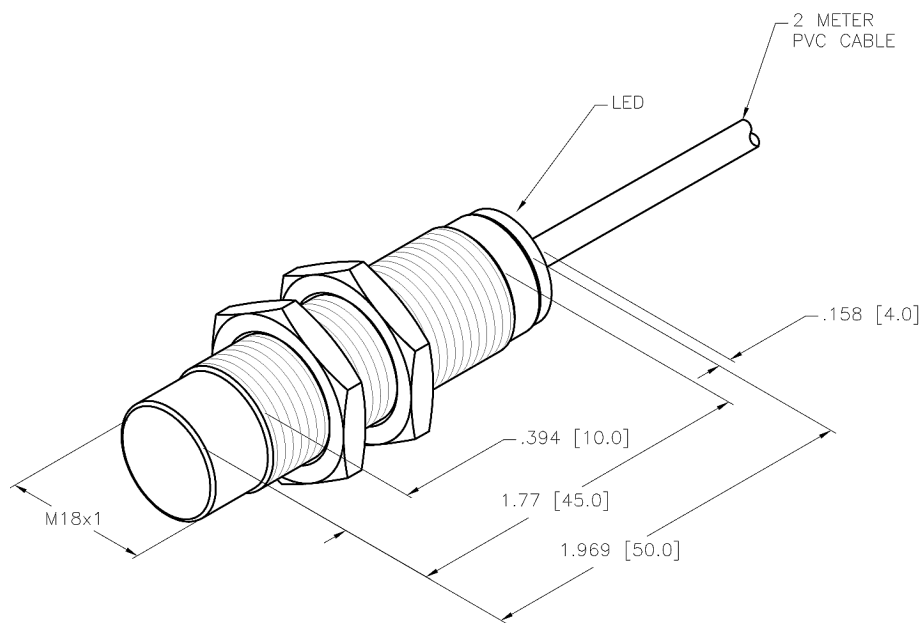


OUTPUT: AN6X

SHORT-CIRCUIT AND OVERLOAD PROTECTED



RATED OPERATING DISTANCE	15mm = .591"
MOUNTING MODE	NON-FLUSH
MIN. REPEAT ACCURACY	≤ 2%
TEMPERATURE DRIFT	≤ ±10%
HYSTERESIS (SWITCHING DISTANCE)	3-15%
OPERATING TEMPERATURE	-30°C to +85°C (-22°F to +185°F)
RATED OPERATIONAL VOLTAGE	10-30 VDC
MAX. RIPPLE	≤ 10%
DC RATED OPERATIONAL CURRENT	≤ 200 mA
NO-LOAD CURRENT	≤ 15 mA
MAX. OFF-STATE CURRENT	≤ 0.1 mA
RATED INSULATION VOLTAGE	≤ 0.5 kV
SHORT-CIRCUIT PROTECTION	INCORPORATED
MAX. VOLTAGE DROP	≤ 1.8 V
WIRE BREAKAGE PROTECTION	INCORPORATED
REVERSE POLARITY PROTECTION	INCORPORATED
OUTPUT FUNCTION	3-WIRE, NORMALLY OPEN, NPN
MAX. SWITCHING FREQUENCY	≤ 1.0 kHz
HOUSING MATERIAL	METAL, BRASS/CHROME PLATED
ACTIVE FACE	PLASTIC, LCP-GF30
END CAP	PLASTIC, EPTR
CABLE	Ø5.2, LIFYY, PVC, 2 METERS
VIBRATION RESISTANCE	55 Hz, 1 mm AMPLITUDE (IN ALL 3 PLANES)
SHOCK RESISTANCE	30 g, 11 ms
DEGREE OF PROTECTION	IP68
SWITCHING STATUS INDICATION	LED, YELLOW



SOURCE DRAWING - FOR REFERENCE ONLY

RELATED DOCUMENTS 1. 2. 3. 4.	3RD ANGLE PROJECTION 	THIS DRAWING IS PROPERTY OF TURCK INC. USE OF THIS DOCUMENT WITHOUT WRITTEN PERMISSION IS PROHIBITED.		<b>TURCK INC</b> High Technology Sensors and Automation Controls	
	MATERIAL	TOLERANCES UNLESS OTHERWISE SPECIFIED .X ±0.02 .XX ±0.01 .XXX ±0.005 ANGLES ±1° ALL MILLIMETER DIMENSIONS ARE REFERENCE ONLY	DRFT RDS DATE 05/09/06 DESCRIPTION NI15U-M18-AN6X	IDENTIFICATION NO. M1635334 REV A	
			DSGN TB SCALE 1=1.0	UNIT OF MEASUREMENT <b>INCH [ MILLIMETER ]</b>	
	FINISH	DO NOT SCALE THIS DRAWING	FILE: M1635334	SHEET 1 OF 1	

A	DRAWING RELEASE	RDS	05/09/06	
REV	DESCRIPTION	BY	DATE	ECO NO.